



I Application

A clamp flat sight glass consists of a glass attached by means of a clamp. Sight glasses are fitted to tanks to inspect the product, level, course of the process, etc. They are widely used in the food-processing, cosmetics, pharmaceutical and fine chemicals industries.

I Design and features

Glass attached by a clamp.

Connections: Weld DIN 11850
Weld OD ASME BPE

I Materials

Casing	AISI 316L (1.4404)
Glass	Tempered
Adapter gasket	EPDM according to FDA 177.2600
Glass support gasket	EPDM
Surface finish	Sanitary polish, $Ra \leq 0,8 \mu m$

I Options

Gaskets: VMQ, NBR or FPM.

Connections: Clamp, SMS, FIL-IDF, BS-RJT, flanges, etc.

Borosilicate glass according to ISO 3585 and EN 1748 T1.

Double flat clamp sight glass.



I Technical specifications

Available sizes DN 25 - DN 150 DN 1" - DN 6"

Wax. working temperature Gasket EPDM -10 °C to +120°C 14 °F to 248 °F
 + 140 °C (SIP, max. 30 min) 284 °F
 Glass Tempered 240 °C 464 °F
 Borosilicate 300 °C 572 °F

Max. working pressure [bar]:

DN	25/1"	32	40-1½"	50-2"	2½"	65-3"	80	4"	100	125	150-6"
Sight Glass with Tempered Glass	25	25	25	25	10	10	10	10	10	6	6
Sight Glass with Borosilicate Glass									7	4	2

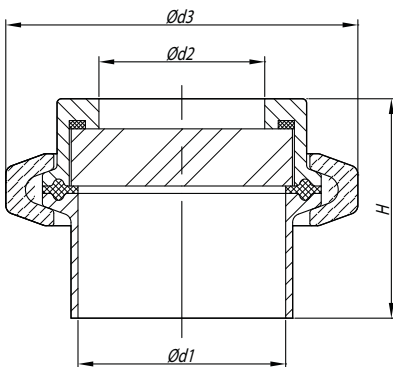
(Temperature and pressure values are approximate and may vary depending on product, gasket type and glass thickness)

I Dimensions

Weld for metric pipe according to DIN 11850

DN	ød1	ød2	Ød3	H	AISI 316L
25	26	23	68	45	L1827-000652025
32	32	25	68		L1827-000652032
40	38	25,5	68		L1827-000652040
50	50	38	81		L1827-000652050
65	66	63,5	108	51,5	L1827-000652065
80	81	72	125		L1827-000652080
100	100	90,5	136		L1827-000652100
125	125	117,5	175		L1827-000652125
150	150	142,5	205		L1827-000652150

(Dimensions in mm)



Weld for OD pipe accordig to ASME BPE

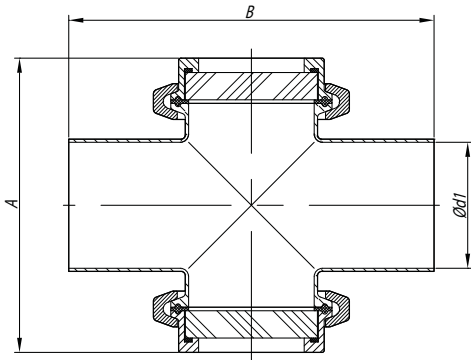
DN	ød1	ød2	Ød3	H	AISI 316L
1"	22,1	23	68	52	L1817-000652025
1½"	34,8	25,5	68		L1817-000652040
2"	47,5	38	81		L1817-000652050
2½"	60,2	51,5	94		L1817-000652063
3"	72,9	63,5	108		L1817-000652076
4"	97,4	88	136		L1817-000652100
6"	146,8	142,5	205	L1817-000652150	

(Dimensions in mm)



I Dimensions

Double flat clamp sight glass



Weld for metric pipe according to DIN 11850

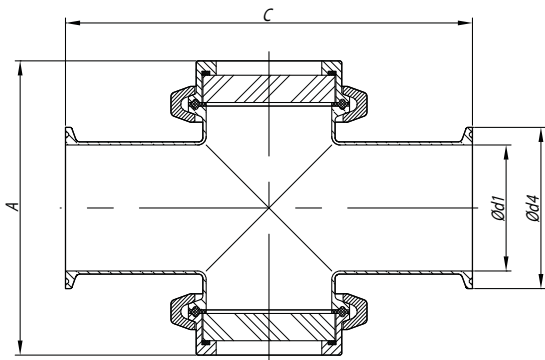
DN	Ød1	A	B	AISI 316L
25	26	122,5	100	L1830-000652025
32	32	129,5	110	L1830-000652032
40	38	136,5	120	L1830-000652040
50	50	150,5	140	L1830-000652050
65	66	183,5	160	L1830-000652065
80	81	151	180	L1830-000652080
100	100	198,5	200	L1830-000652100

Weld for OD pipe accordig to ASME BPE

DN	Ød1	A	B	AISI 316L
1"	22,1	136	108	L1821-000652025
1½"	34,8	150	120,6	L1821-000652038
2"	47,5	165	146	L1821-000652050
2½"	60,2	179	158,8	L1821-000652063
3"	72,9	193	171,4	L1821-000652076
4"	97,4	220	209,6	L1821-000652100

Clamp DIN 32676

DN	Ød1	Ød4	A	C	AISI 316L
25	26	50,5	122,5	143	L1830-770652025
32	32	50,5	129,5	153	L1830-770652032
40	38	50,5	136,5	163	L1830-770652040
50	50	64	150,5	183	L1830-770652050
65	66	91	183,5	216	L1830-770652065
80	81	106	151	236	L1830-770652080
100	100	119	198,5	256	L1830-770652100



Clamp OD ASME BPE

DN	Ød1	Ød4	A	C	AISI 316L
1"	22,1	50,5	136	133,4	L1821-770652025
1½"	34,8	50,5	150	146	L1821-770652040
2"	47,5	64	165	171,4	L1821-770652050
2½"	60,2	77,5	179	184,2	L1821-770652063
3"	72,9	91	193	196,8	L1821-770652076
4"	97,4	119	220	241,4	L1821-770652100

(Dimensions in mm)

